

Shandong Rhinoceros Engineering Machinery CO., LTD

RHINOCEROS backhoe loader

MODEL: XNWZ74180

Main features:

1. ORIGINAL CUMMINS ENGINE B3.3 (60kw), Low fuel consumption, low noise and strong power, more efficient and economical, the emission meet to EURO 3 standard.
2. Imported PERMCO brand -high quality, long service.
3. EATON Pilot joystick handler, ensure the accuracy and flexibility of each movement.
4. International famous brand front & rear axles same to CARRARO helps steer easily, efficient hydraulic torque converter provides ease and great comfort of operation.
5. The super cab is designed with principle of ergonomics to provide the operator a low-noise environment, and possesses fine shock absorption.
6. Hydraulic accessories option: 4-in-1 bucket, quick coupling plate, driller, forklift, quick hitch, hydraulic hammer, narrow bucket, tilting bucket.



Loading method: Two units in a 40HC, one unit also need a 40HC.

Delivery time: within 25days after receive the down payment

Warranty: full one year or 1200 working hours.

With a spare parts kit for free.

Working video link:

<https://www.youtube.com/watch?v=PGa2flqEmbw>

ADD: liaocheng, Shandong Province, China. Mobile (whatsapp, line, viber): 0086-15020626737

Website: www.sdxiniu.com Mail: michael@sdxiniu.com, mikesdxiniu@gmail.com

SKYPE: michealchina832



Shandong Rhinoceros Engineering Machinery CO., LTD

Main specification:

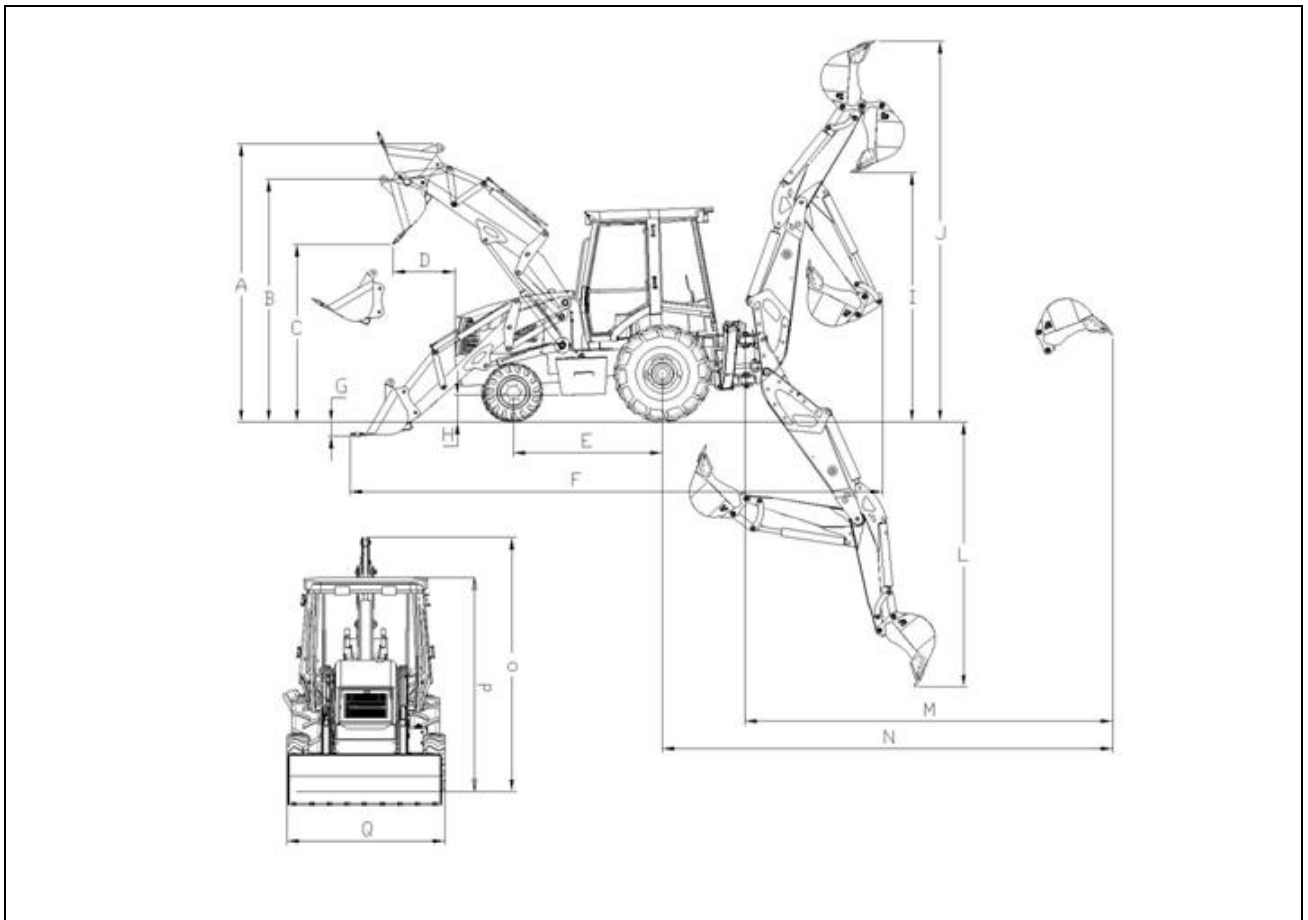
General information	
Total weight	7000 kg
Overall dimension	7400x2170x2950 mm
Turning radius	3500 mm
Backhoe bucket capacity	0.25-0.3cbm (800kgs)
Loading bucket capacity	1.0 cbm (2200kgs)

Engine	
Model	Imported CUMMINS (B3.3)
No. of cylinders, type	4 cylinders in line, water cooled
Bore and stroke	95x115 (mm)
Displacement	3.3L
Rated power/rotating speed	60 kw
Transmission system	
Hydraulic torque converter	XN280
Drive Method (2 x 4 or 4 x 4)	4x4
Speed	
First forward	6 km/h / 12km/h
Second forward	14.5 km/h / 29km/h
First reverse	6 km/h / 12km/h
Second reverse	14.5 km/h / 29km/h
Axle	
Axle type	Hub reduction axle
Front axle track	2110 mm
Rear axel track	1800 mm
Hydraulic system	
Hydraulic Motor	PERMCO imported from America
Model	3020
Flow rate	80 L/min
Working pressure	22.5 Mpa
Pilot joystick handler	EATON brand
Multitandem valve	RUILONG brand

ADD: liaocheng, Shandong Province, China. Mobile (whatsapp, line, viber): 0086-15020626737
 Website: www.sdxiniu.com Mail: michael@sdxiniu.com, mikesdxiniu@gmail.com
 SKYPE: michealchina832

Shandong Rhinoceros Engineering Machinery CO., LTD

Electrical system	
Voltage	12 V
Alternator capacity	4 kw
Battery capacity	210 Ah
Front wheels (size & ply rating)	21.5-16
Rear wheels (size & ply rating)	15-24
Diesel fuel tank	125 L
Hydraulic system fluid	132 L
Backhoe part	
Backhoe bucket width	560 mm
Backhoe bucket weight	185 kg
Maximum outrigger width (extended)	2900 mm
Minimum outrigger width (transport)	2020 mm
Loader part	
Bucket width	2030 mm
Bucket weight	350 kg



Shandong Rhinoceros Engineering Machinery CO., LTD

Operating range		
Loader		
A	Maximum bucket reach	3850 mm
B	Maximum loading height	3300 mm
C	Maximum loader dumped height	2550 mm
D	Dumping distance from bucket to fender	810 mm
E	Wheelbase	2110 mm
F	Maximum transport length	7400 mm
G	Maximum digging depth	20-25 mm
H	Ground clearance	300 mm
Backhoe		
I	Maximum dumping height	4350 mm
J	Maximum bucket reach	5350 mm
L	Maximum digging depth	4010 mm
M	Maximum digging reach from pivot point	5350 mm
N	Maximum digging reach from rear axle	5467 mm
O	Travel height	3300 mm
P	Height to top of cab	2950 mm
	Digging power of bucket	45 KN
	Digging power of dipper	36 KN





SPARE PARTS FOR FREE

INSTRUMENT BOX FOR MACHINE :

ADD: liaocheng, Shandong Province, China. Mobile (whatsapp, line, viber): 0086-15020626737
Website: www.sdxiniu.com Mail: michael@sdxiniu.com, mikesdxiniu@gmail.com
SKYPE: michealchina832

Shandong Rhinoceros Engineering Machinery CO., LTD

NO.	ITEM	MODEL	UNIT	QUANTITY
1	Straight screwdriver	75x51	Piece	2
2	Cross screwdriver	75x51	Piece	2
3	Allen wrench	10,8,6,5,4,3,2.5,2.1,5	Set	8 pieces/set
4	Hammer	H23	Piece	1
5	Pliers	200	Piece	1
6	Grease gun	24013	Piece	1
7	Open spanner	10x12, 13x15, 24x27, 22-24, 17-19	Piece	Each 1
8	Double offset ring spanner	17, 19, 22, 27	Piece	Each 1
9	Filter wrench	12"	Piece	1
10	Grease fitting	10x1	Piece	20
11	Sleeve	30-38	Piece	1

Steel ring :

NO.	ITEM	MODEL	UNIT	QUANTITY
1	Bucket steel bushing	Φ55×Φ40×72	piece	2
2	Front connecting rod steel bushing B	Φ55×Φ40×53	piece	2
3	Front connecting rod steel bushing A	Φ60×Φ45×51.5	piece	2
4	Steel bushing of arm and bucket	Φ55×Φ40×164	piece	2
5	Steel bushing of loading support legs	Φ55×Φ40×50	piece	2
6	Steel bushing 1 of loading arm	Φ76×Φ60×108	piece	2
7	Steel bushing 2 of loading arm	Φ66×Φ50×108	piece	2
8	Steel bushing 3 of loading arm	Φ56×Φ40×108	piece	2

Hydraulic oil pipe:

NO.	MODEL	UNIT	QUANTITY



Shandong Rhinoceros Engineering Machinery CO., LTD

1	I18LG½O /185 °+H16 II -920-135 °	piece	1
2	I12L+ H10 II -700+I12L	piece	1
3	I18LG½O+H16 II -850-135 °	piece	1
4	I12L+ H10 II +1800+I12L	piece	1
5	H16 II -1200-90 °	piece	1

Seal ring

SD-13 90/55X340-640 1 package
SD-13 100/55 1 package
SD-13 Φ60/40X700 1 package
SD-13 110/63 1 package
SD-13 80/50X320 1 package

Bucket Teeth

Front loading bucket teeth: 5 pieces

Bucket teeth: 3 pieces

ADD: liaocheng, Shandong Province, China. Mobile (whatsapp, line, viber): 0086-15020626737

Website: www.sdxiniu.com Mail: michael@sdxiniu.com, mikesdxiniu@gmail.com

SKYPE: michealchina832